



Thermorail **dry element towel heaters** are the best way to add **warmth and comfort** to any bathroom.

Thermorail Stainless Steel

Towel heaters are 'dry element' operated for rapid heating and long element life.

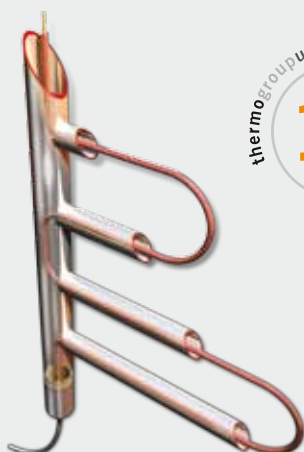
This increases towel heater efficiency, consuming less energy to maintain the same temperatures under towel.

Thermorail is the perfect complement to Thermonet underfloor heating providing an additional heatsource if the room requires it, to add to the level of comfort and luxury.

Thermorail - Dry Element

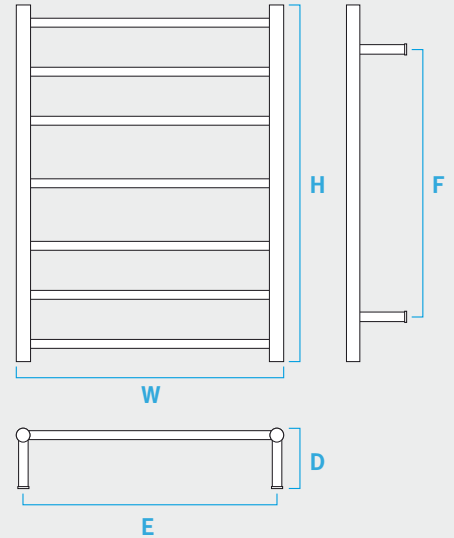
STOCK NO	DESCRIPTION	SIZE (MM)	HEAT OUTPUT (W)	EX VAT (£)
7080	Stainless Steel Straight	700 x 600	110	POA
7081	Stainless Steel Straight	1000 x 450	90	POA
7082	Stainless Steel Straight	1000 x 600	100	POA
7084	Stainless Steel Straight	690 x 1200	140	POA
7085	Stainless Steel Straight	1525 x 600	150	POA
7083	Stainless Steel Curved	1000 x 600	100	POA
5287	Boost Switch	80 x 80		POA

Dry Element - No Liquid



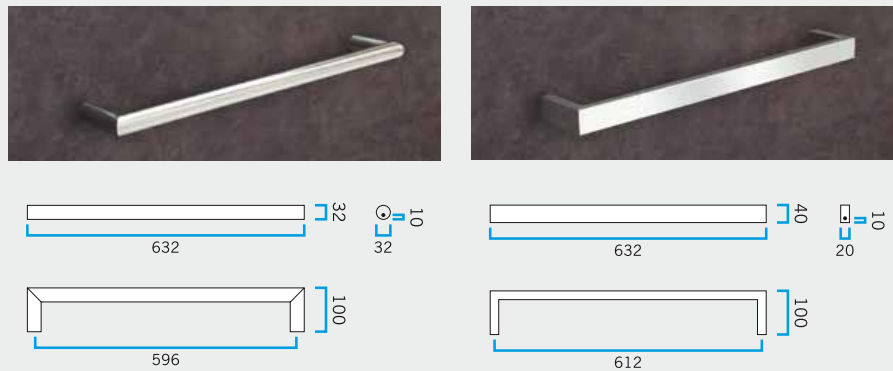
Thermorail Dimensions

STOCK NO	W (MM)	H (MM)	D (MM)	E (MM)	F (MM)
7080	600	700	120	568	550
7081	450	1000	120	418	630
7082	600	1000	120	568	630
7084	1200	690	120	1168	550
7085	600	1525	120	568	930
7083	600	1000	120	568	630
7086	632		100	596	
7087	632		100	612	



All our electric only ladder rails feature an on/off switch at the bottom of the left leg and the electrical connection on the right hand side.

12V Single Rails



Boost Switch



That little bit extra...

The Boost Switch allows you to boost the heat for 4 different periods of time without having to remember to switch it off.

Thermorail will revert back to its off mode after the selected amount of time thus reducing energy consumption.

Thermorail - 12V Single Rails

STOCK NO	DESCRIPTION	SIZE (MM)	VOLTAGE (V)	HEAT OUTPUT (W)	EX VAT (£)
7086	Round Single Rail	632	12	18	POA
7087	Square Single Rail	632	12	23	POA
7089	12V Transformer		12	10-60	POA

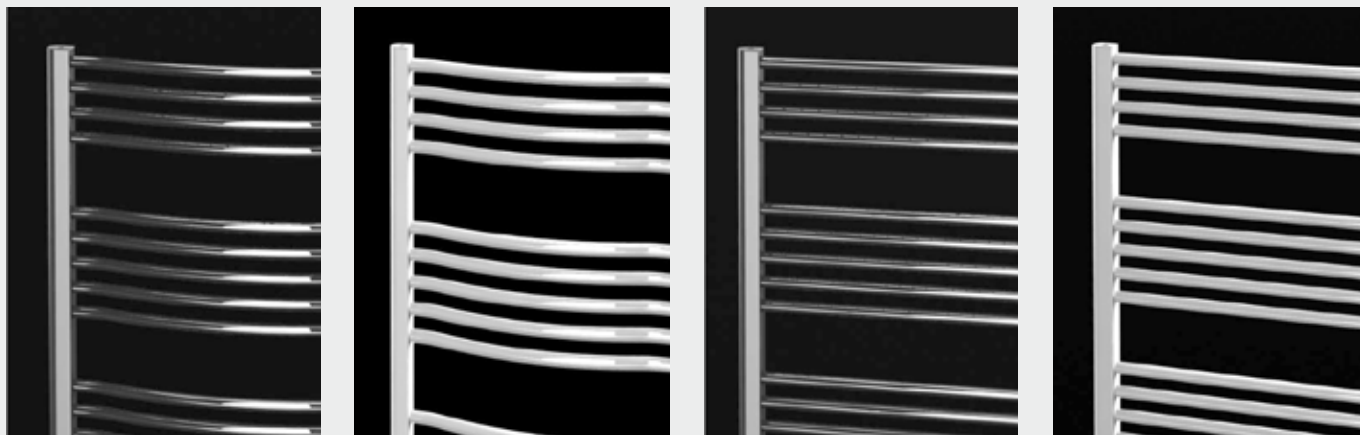
Multiple 12V Single Rails can be wired together onto one transformer.

Please pay attention to the maximum loading of the transformer to avoid overloading. Please contact our sales department on 08700 41 21 41 for further assistance.



You may also require:

Thermodrill - 6 and 8mm drill bits designed to make light work of drilling fixing holes in porcelain and fully vitrified tiles. See p34.



Our **flexible** multirails can be supplied as electric only, dual fuel or **ready for connection** to a central heating system.

What are The Options?

Choosing a Thermorail can be confusing. Use the section below to configure your rail the way you like it.

Chrome or White? Straight or Curved?

Simply choose the correct multirail size decide which shape and finish you require. Chrome is the standard finish, for white models just add the suffix "WH" to the multirail stock code. Eg, 7129WH. For curved rails just add "C". Eg, 7129WHC.

How To Buy

1. Choose your **rail**
2. Choose your **element**
3. Choose your **valves**
or **filling charge**

Thermorail Straight Chrome

STOCK NO	SIZE (MM)	HEAT OUTPUT (W)	ELEMENT POWER (W)	EX VAT (£)
7129	800 x 400	628	150	POA
7130	800 x 500	718	150	POA
7131	800 x 600	811	150	POA
7132	1100 x 400	879	250	POA
7133	1100 x 500	1010	250	POA
7134	1100 x 600	1155	250	POA
7135	1600 x 400	1256	400	POA
7136	1600 x 500	1468	400	POA
7137	1600 x 600	1691	400	POA

Thermorail Accessories

STOCK NO	DESCRIPTION	UNIT	EX VAT (£)
7150	Chrome Valve Set	pr	POA
7151	Thermostatic Valve Set	pr	POA
7152	Horizontal Thermostatic Valve Set	pr	POA
7153	Angled Thermostatic Valve Set	pr	POA
7170	Filling Charge inc. Inhibitor	ea	POA

Standard Electrical Element

STOCK NO	LENGTH (MM)	HEAT OUTPUT (W)	EX VAT (£)
7156	300	150	POA
7157	350	250	POA
7158	400	400	POA
7159	700	600	POA

Thermostatic Electrical Element - With Turbo Boost

STOCK NO	LENGTH (MM)	HEAT OUTPUT (W)	EX VAT (£)
7161	300	150	POA
7162	340	300	POA
7163	390	600	POA

Lead Times

Dual Fuel options in Chrome are available from stock and can be delivered next day.

Please allow 7 days for delivery of pre filled and sealed multirails.

Also allow 7 days for delivery of white multirails.

You may also require:

Thermodrill - 6mm and 8mm

Drill bits designed to make light work of drilling fixing holes in porcelain and fully vitrified tiles. See p34.



7161/2/3

Thermostatic Heating Element



7150

Chrome Valve Set



Typical Dual Fuel Setup



7156/7/8/9

Standard Element



7152

Thermostatic Valve Set

Setup Options

Use a Thermostatic element for greater control over the temperature of your thermorail and also save energy. A standard element is either on or off - simple.

